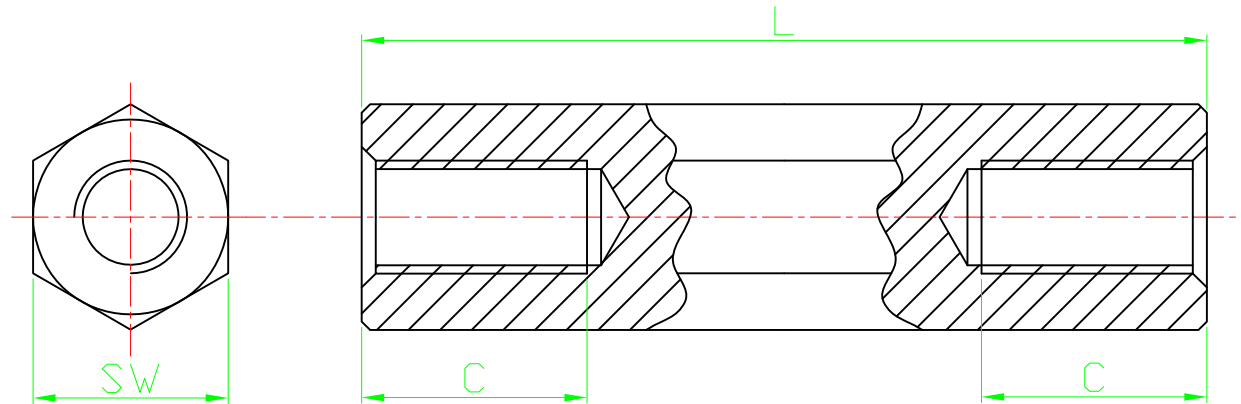


RoHS compliant



Width across flat(SW)5
Thread M2.5
PU=100 pcs

Option	Dimensions	
	L	C min
A	5	5
B	8	8
C	10	10
D	12	12
S	13	13
E	15	15
F	18	18
G	20	20
H	25	6

Scale	1:1					Date	Name	Customer-No.
TOLERANCE						Drawn	20.08.2009	Dean
X.	±X					Approved	10.03.2010	Andy
X.X	±X							
X.XX	±X							
DIM	TOL	②	Modify drawing layout	10.03.2010	Dean			
X.°	±X°	①	Drawn	20.08.2009	Dean			
X.X°	±X°	①	Drawn	20.08.2009	Dean			
Angle	TOL	Id.	Modification	Date	Name	Drawing-No.		

Customer-No.	
ASSMANN WSW-No. V6516x	
Drawing-No.	rev02
ASS 0916 HS	Sheet
Replace	

1

2

3

4

5

6

7

A

A

B

B

C

C

D

D

E

E

F

F

G

G

H

H

1

2

3

4

5

6

7